

MJ2-1 Series

Basic Limit Switch

◆ Features

- ✓ Sealed actuator variants for better oil resistance
- ✓ High temp. resistant phenolic enclosure types (T385J)
- ✓ Fire resistant phenolic enclosure types (T200HF)

◆ Recognition(s)

- ✓ CE – EN61058-1
- ✓ UL – UL-508
- ✓ CCC – GB14048.5-2008
- ✓ VDE – 0630/04.86
- ✓ RoHS Compliant
- ✓ Reach Unaffected



◆ Characteristics

Positive Opening	Electrical Contact	Terminal Type	Contact Form(s)	Poles & Throws	Actuation Sequence(s)
No	3 Points	Screw	Form C	SPDT	Break(1) Make(2)

Operating Temp.	AC Rated	DC Rated	IP	Oil Resist	Dust Resist	Water Resist	Operating Speed
-15 to 80 C -15 to 150 C (phenolic)	15A 125V-250V, 20A 125V-250V	0.5A 125V, 0.25A 250V	40	Yes or No	No	No	0.01mm to 1m/sec

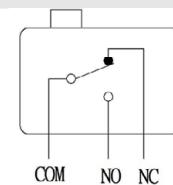
Operation Frequency	Contact Resistance	Insulation Resistance	Vibration
Mechanically: 240/min Electrically: 20/min	15mΩ max. (initial)	100MΩ min. (500VDC)	1.5mm amplitude at 10-55Hz

Storage Humidity	Service Life (min.)	Dielectric Strength
85% RH max	Mechanically: 20,000,000 operations Electrically: 500,000 operations	1000VAC, 50/60Hz for 1 minute between non-continuous terminals 2000VAC, 50/60Hz for 1 minute between current-carry part and ground

Recommended tightening forces

Purpose	Screw type	Tightening
Mounting	M4	1.18~1.37 N·m
Panel Mount Screw Nut		2.94~4.92 N·m
Screw terminal		0.25±0.05 N·m

Circuitry



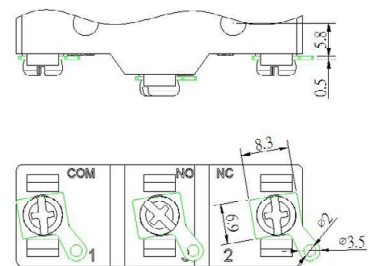
◆ Materials

Actuation touch part	Electrical contact point	Enclosure
Nylon, Stainless Steel, Teflon, POM, Nickel plated copper or brass	Silver 99.9%	PBT plastic with glass fiber, or Phenolic resin (T385J or T200HF)

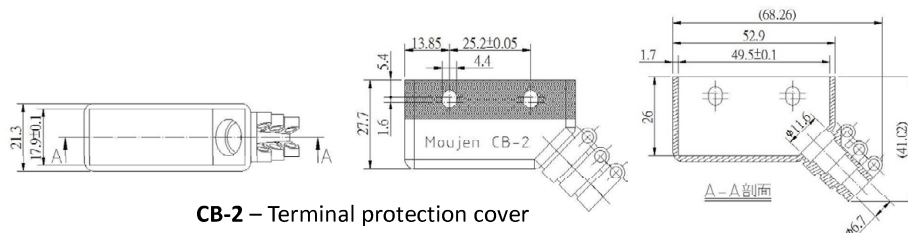
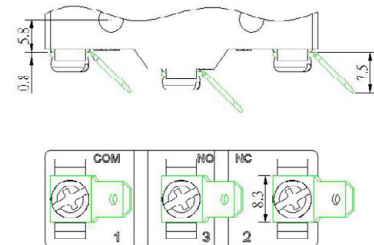
◆ **Nomenclature**

Series:	Actuator:	Terminal:	Enclosure Material:	Amps:
MJ2 –	1704 –		PH –	20
	1300=Nickel plated copper Pin plunger 1305=Nickel plated copper Pin plunger, tall 1306=Nickel plated copper Plunger, short 1307=Nickel plated copper Plunger, tall, panel mount 1308=SUS303 Roller metal plunger, panel mount 1309=SUS303 Cross roller metal plunger, panel mount 1326=Teflon Plunger, short 1327=Teflon Plunger, tall, panel mount 1328=Teflon Roller metal plunger, panel mount 1329=Teflon Cross roller metal plunger, panel mount 1500=Cat whisker metal lever 1503=POM Roller metal lever, r31.9mm, 1-way action 1504=POM Roller metal lever, r53.8mm, 1-way action 1506=Simulated roller metal lever, r28.1mm 1523=SUS303 Roller metal lever, r31.9mm, 1-way act 1524=SUS303 Roller metal lever, r53.8mm, 1-way act 1701=Straight metal Lever, r63.5mm 1702=Straight metal Lever, r38.2mm 1703=POM Roller metal lever, r48.5mm 1704=POM Roller metal lever, r26.6mm 1705=POM Roller metal lever, r37.2mm 1706=Straight metal Lever, r28.7mm 1707=Straight metal Lever, r53mm 1708=PBT plastic lever, Red push lever type 1723=Nickel plated brass Roller metal lever, r48.5mm 1724=Nickel plated brass Roller metal lever, r26.6mm 1725=Nickel plated brass Roller metal lever, r37.2mm With Oil Resist Boot Seals 1315=Nickel plated copper Pin plunger, tall 1316=Nickel plated copper Plunger, short 1317=Nickel plated copper Plunger, tall (no panel mount) 1336=Teflon Plunger, short 1337=Teflon Plunger, tall 1513=POM Roller metal lever, r31.9mm, 1-way action 1514=POM Roller metal lever, r53.8mm, 1-way action 1516=Simulated roller metal lever, r28.1mm 1533=SUS303 Roller metal lever, r31.9mm, 1-way act 1534=SUS303 Roller metal lever, r53.8mm, 1-way act 1711=Straight metal lever, r63.5mm 1712=Straight metal lever, r38.2mm 1713=POM Roller metal lever, r48.5mm 1714=POM Roller metal lever, r26.6mm 1733=Nickel plated brass Roller metal lever, r48.5mm 1734=Nickel plated brass Roller metal lever, r26.6mm	Blank=Screw A=Quick (250, t=6.37mm) S=Soldering	Blank=Plastic PH=Phenolic (T385J) FR=Phenolic (T200HF)	Blank=15A 20=20A (only applicable to Phenolic enclosure types)

S – Soldering Terminal



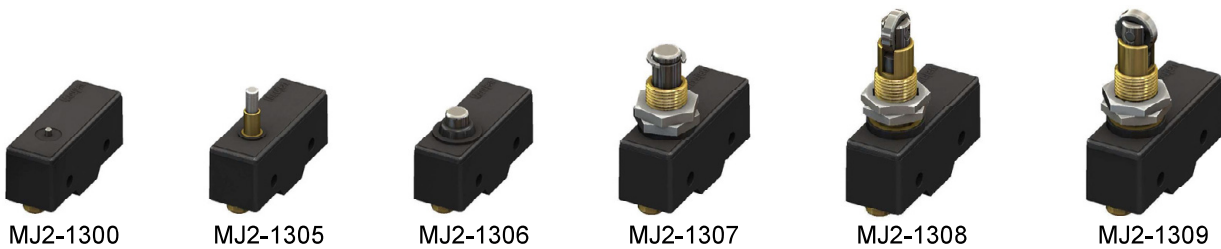
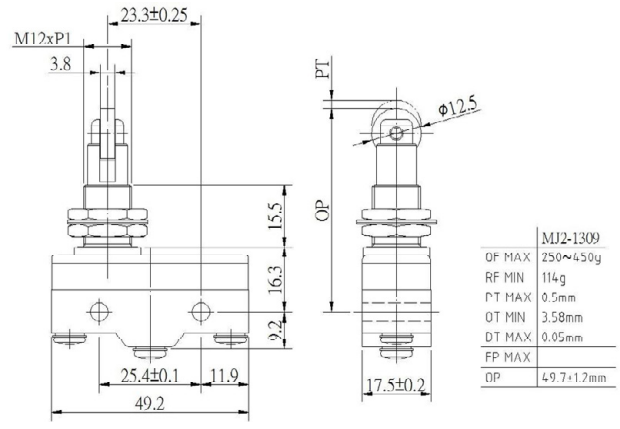
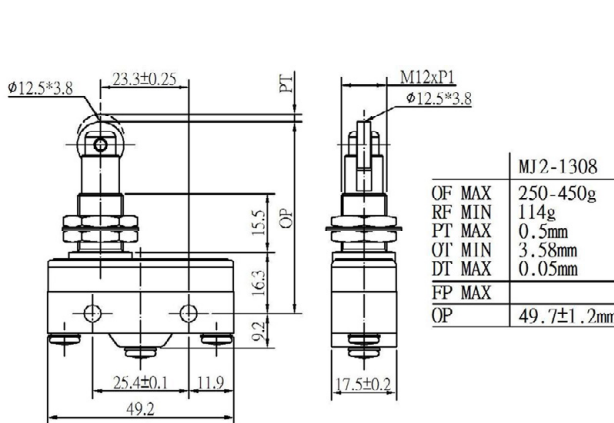
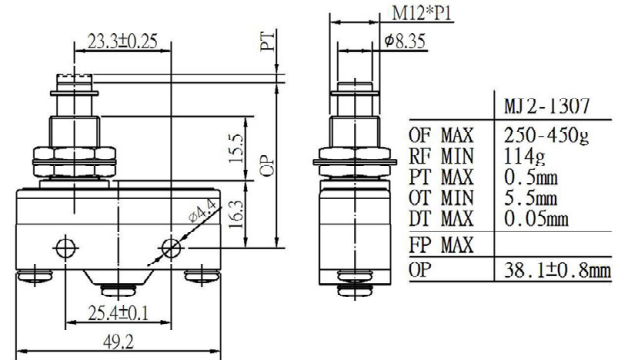
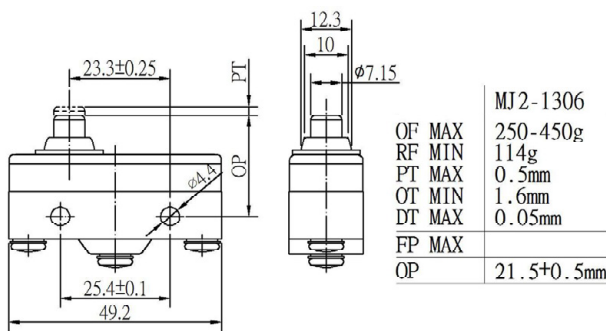
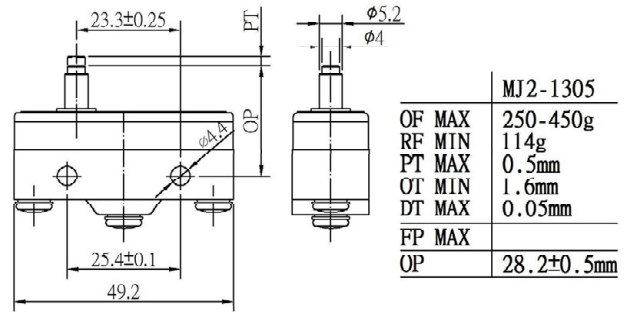
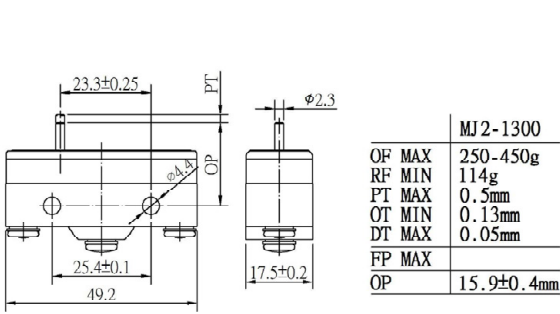
A – Quick Connect Terminal



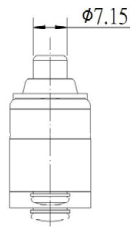
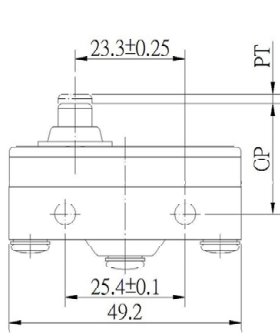
CB-2 – Terminal protection cover

MJ2-1
◆ Dimensions & Operating Characteristics

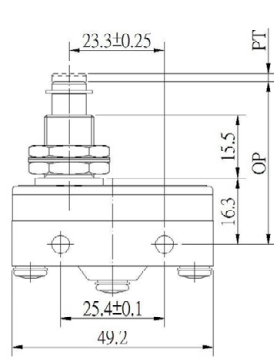
*Measurements in millimeters



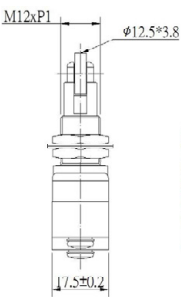
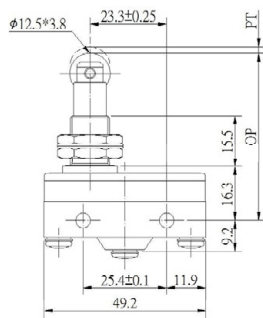
MJ2-1



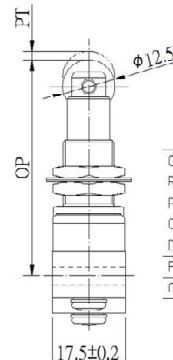
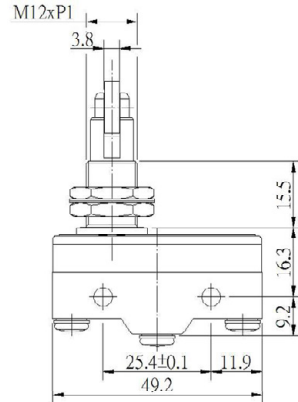
MJ2-1326	
OF MAX	250-450g
RF MIN	114g
PT MAX	0.5mm
OT MIN	1.6mm
DT MAX	0.05mm
FP MAX	
OP	21.5±0.5mm



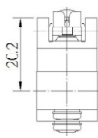
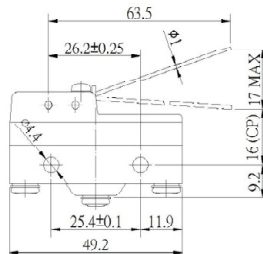
MJ2-1327	
OF MAX	250-450g
RF MIN	114g
PT MAX	0.5mm
OT MIN	5.5mm
DT MAX	0.05mm
FP MAX	
OP	38.1±0.8mm



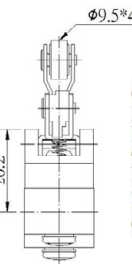
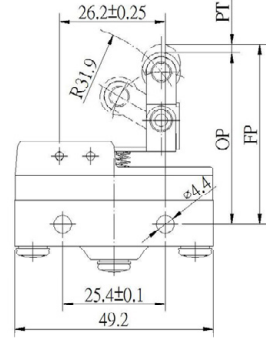
MJ2-1328	
OF MAX	250-450g
RF MIN	114g
PT MAX	0.5mm
OT MIN	3.58mm
DT MAX	0.05mm
FP MAX	
OP	49.7±1.2mm



MJ2-1329	
OF MAX	250-450g
RF MIN	114g
PT MAX	0.5mm
OT MIN	3.58mm
DT MAX	0.05mm
FP MAX	
OP	49.7±1.2mm

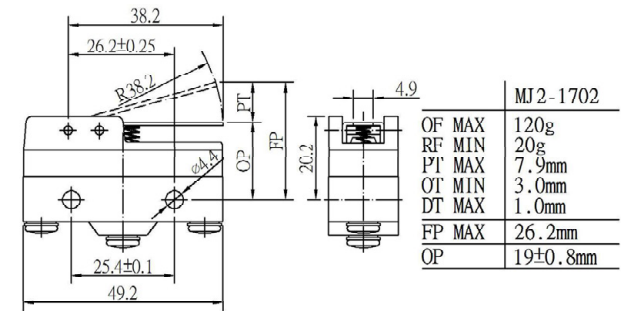
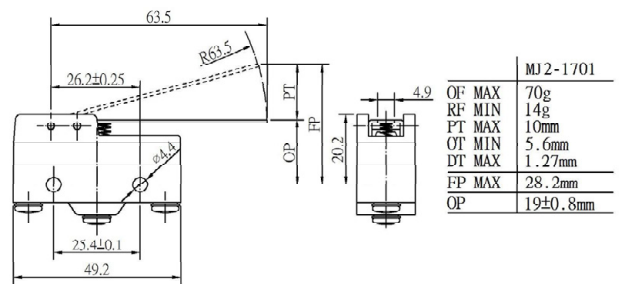
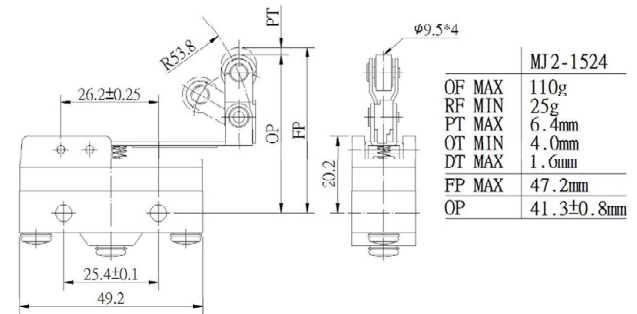
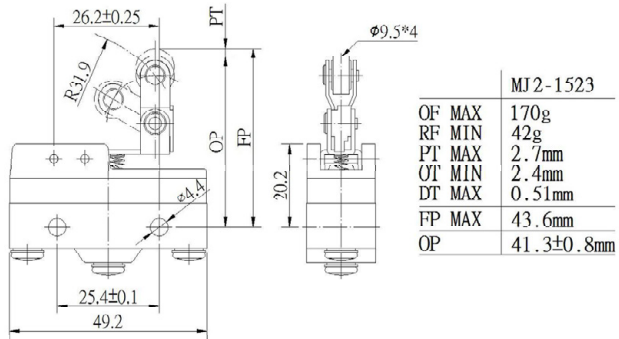
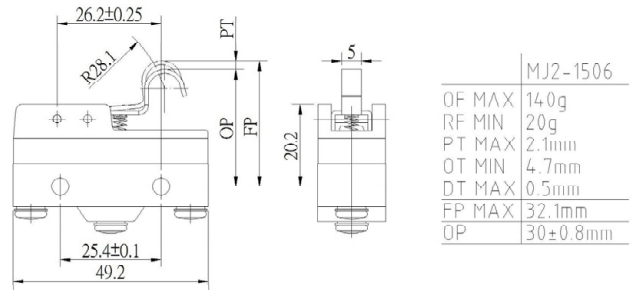
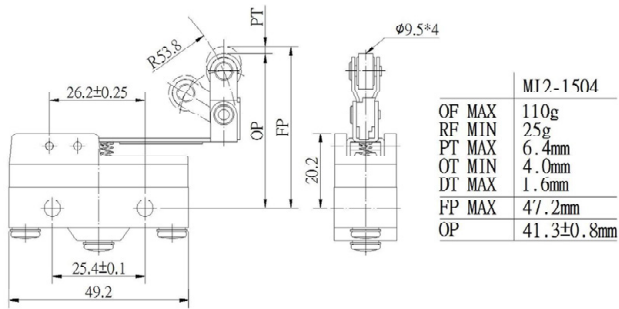


MJ2-1500	
OF MAX	10g
RF MIN	5g
PT MAX	10mm
OT MIN	6mm
DT MAX	3mm
FP MAX	
OP	20±1mm



MJ2-1503	
OF MAX	170g
RF MIN	42g
PT MAX	2.7mm
OT MIN	2.4mm
DT MAX	0.51mm
FP MAX	43.6mm
OP	41.3±0.8mm


MJ2-1326
MJ2-1327
MJ2-1328
MJ2-1329
MJ2-1500
MJ2-1503



MJ2-1504



MJ2-1506



MJ2-1523



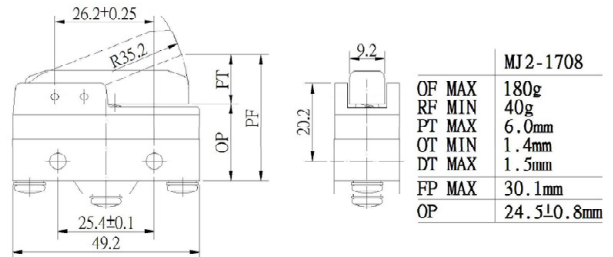
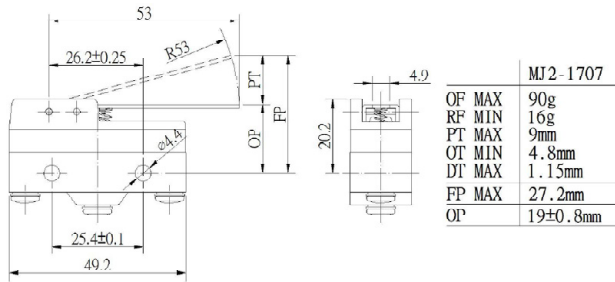
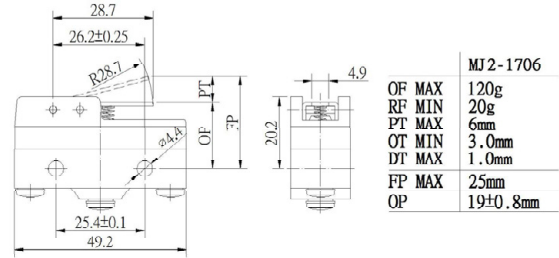
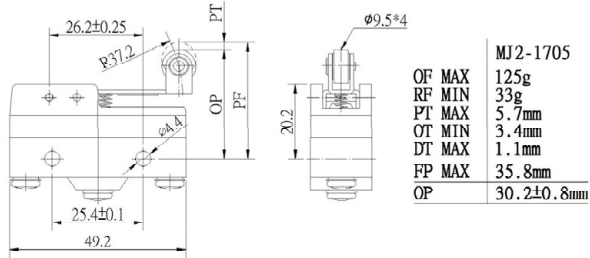
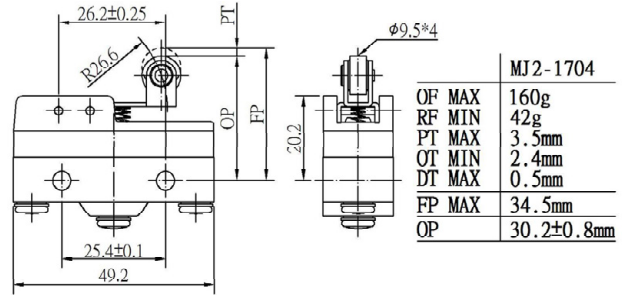
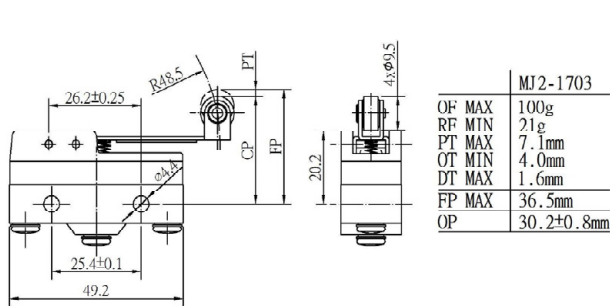
MJ2-1524



MJ2-1701



MJ2-1702



MJ2-1703



MJ2-1704



MJ2-1705



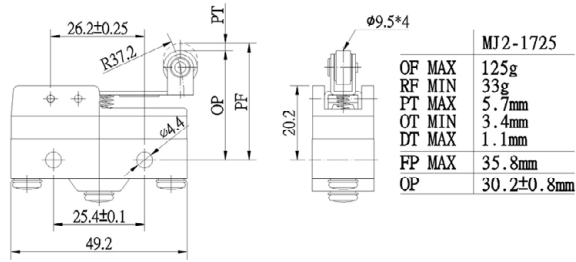
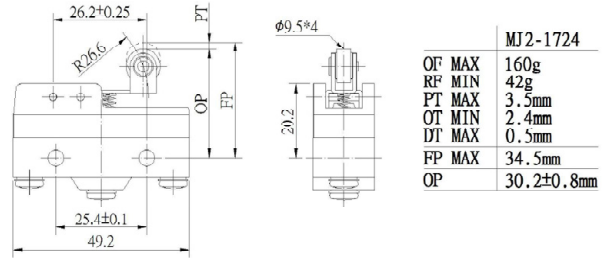
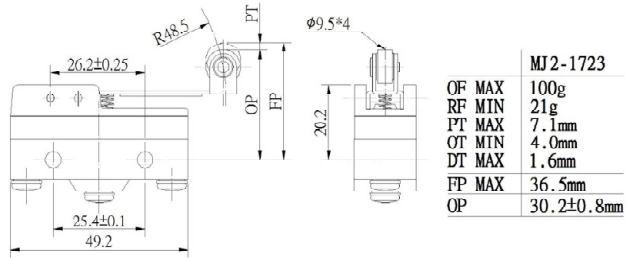
MJ2-1706



MJ2-1707

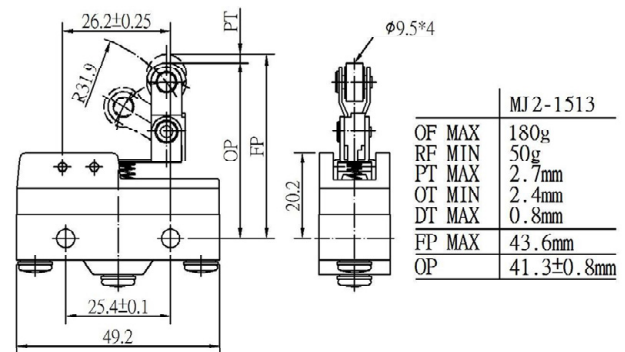
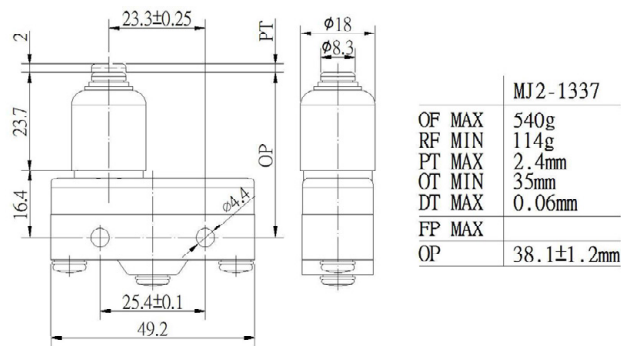
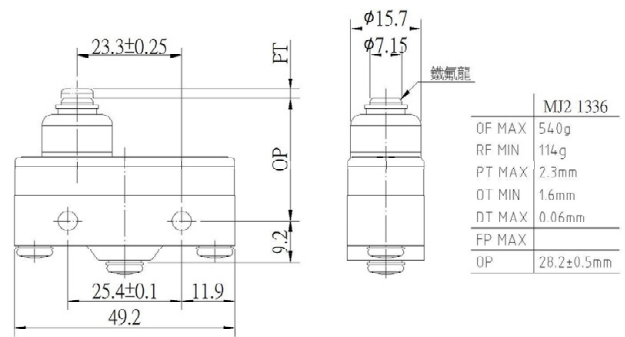
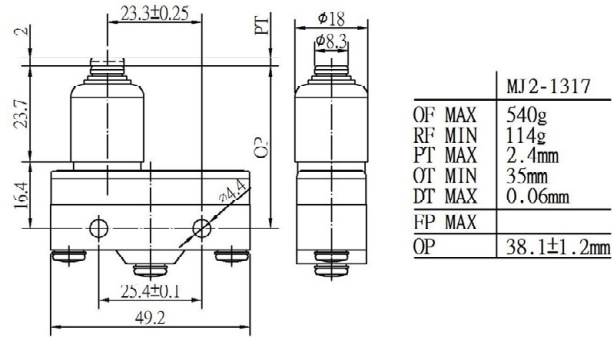
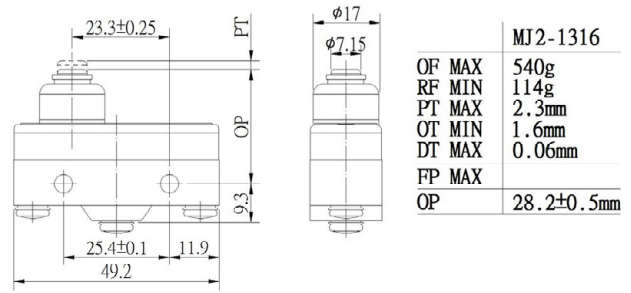
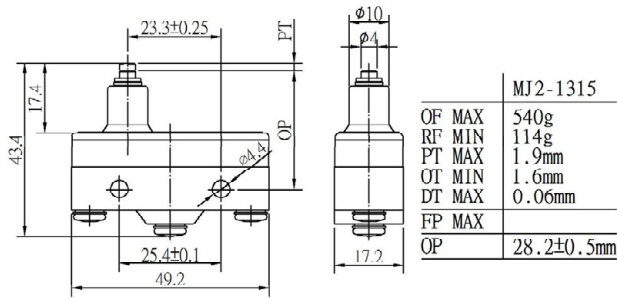


MJ2-1708

MJ2-1

MJ2-1723

MJ2-1724

MJ2-1725

With Oil Resist Boot Seals


MJ2-1315



MJ2-1316



MJ2-1317



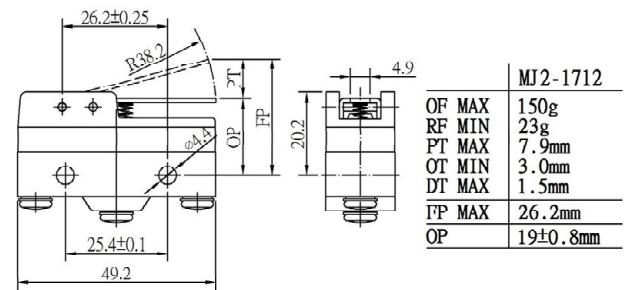
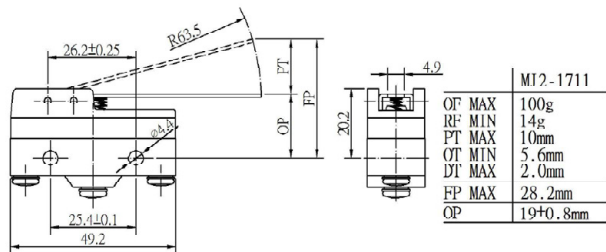
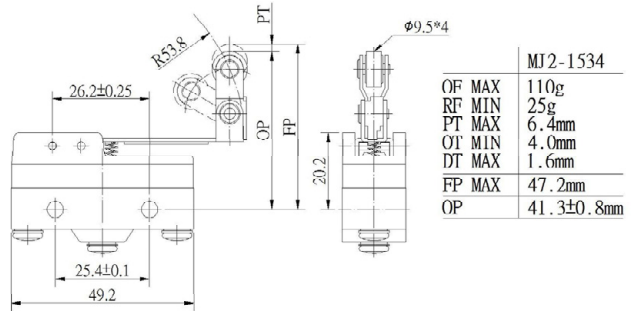
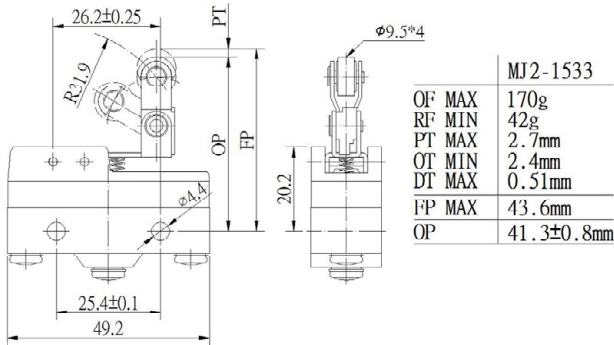
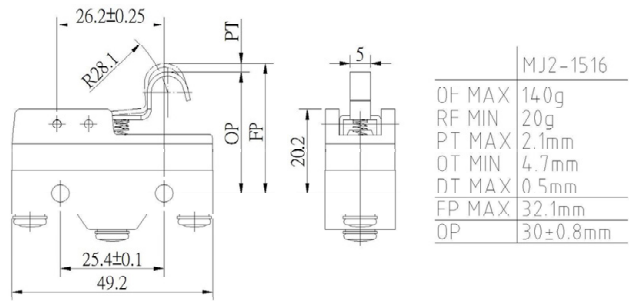
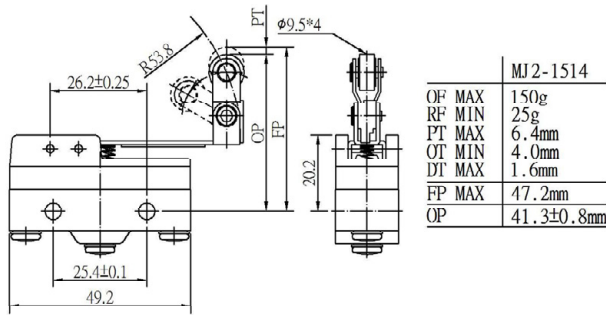
MJ2-1336



MJ2-1337



MJ2-1513



MJ2-1514



MJ2-1516



MJ2-1533



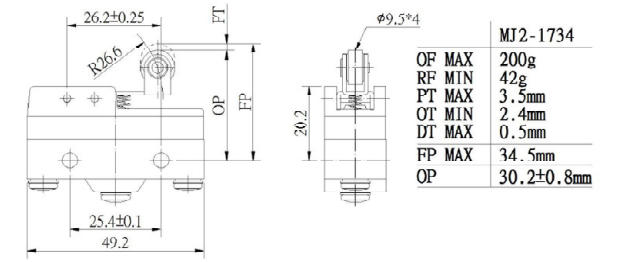
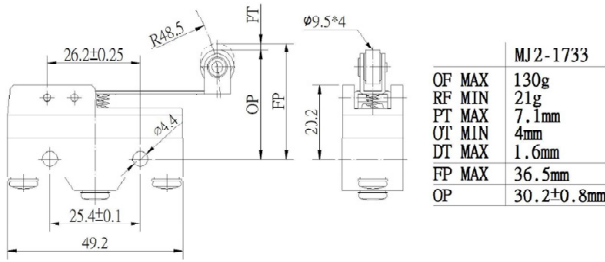
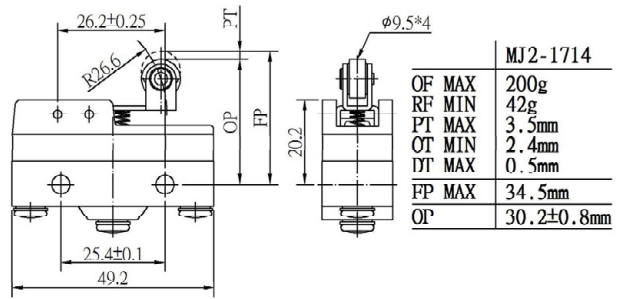
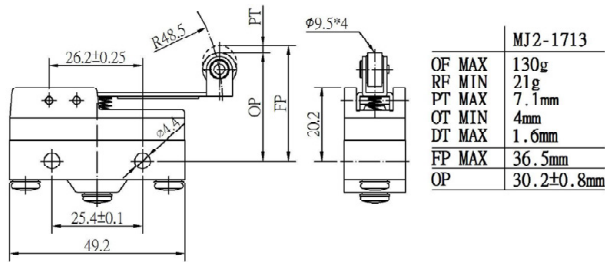
MJ2-1534



MJ2-1711



MJ2-1712

MJ2-1

MJ2-1713

MJ2-1714

MJ2-1733

MJ2-1734