

MJ1-6 Series

Heavy Duty Limit Switch

◆ Features

- ✓ Heavy duty aluminum limit switch
- ✓ Dust, water, and oil resistant on select models
- ✓ PF 1/2 inch threaded hole at side of switch
- ✓ Includes two M4 screws for side mounting

◆ Recognition(s)

- ✓ CE – EN60947
- ✓ UL – UL-508
- ✓ CCC – GB14048.5-2008
- ✓ RoHS Compliant
- ✓ Reach Unaffected



◆ Characteristics

Positive Opening	Electrical Contact	Terminal Type	Contact Form(s)	Poles & Throws	Actuation Sequence(s)
No	3 Points	Screw	Form C	SPDT	Break(1) Make(2)

Operating Temp.	AC Rated	DC Rated	IP	Oil Resist	Dust Resist	Water Resist	Operating Speed
-10 to 80 Celsius	15A 125-250V	0.5A 125V	60, 65	Yes & No	Yes	Yes & No	0.01mm to 1m/sec

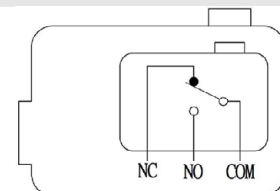
Operation Frequency	Contact Resistance	Insulation Resistance	Vibration
Mechanically: 240/min Electrically: 20/min	15mΩ max. (initial)	100MΩ min. (500VDC)	1.5mm amplitude at 10-55Hz

Storage Humidity	Service Life (min.)	Dielectric Strength
85% RH max	Mechanically: 20,000,000 operations Electrically: 500,000 operations	1000VAC, 50/60Hz for 1 minute between non-continuous terminals

Recommended tightening forces

Purpose	Screw type	Tightening
Mounting	M4	1.18~1.37 N·m
Enclosure cover		1.18±0.15 N·m
Screw terminal		0.25±0.05 N·m

Circuitry



◆ Materials

Actuation touch part	Electrical contact point	Enclosure
Stainless Steel	Silver 99.9%	Aluminum alloy

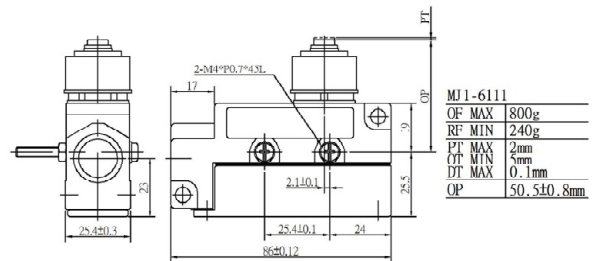
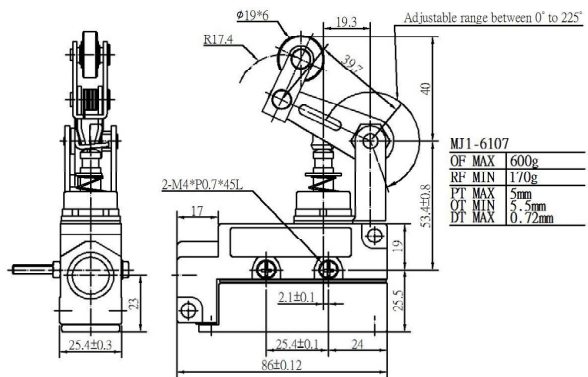
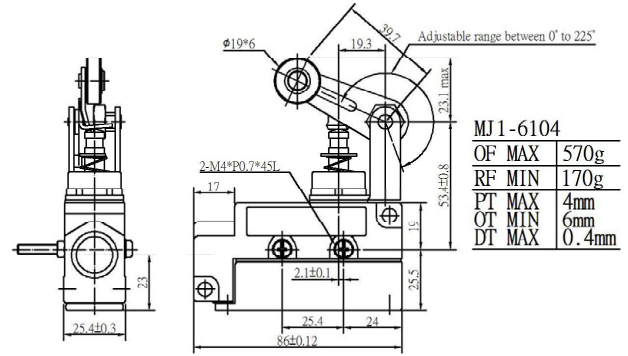
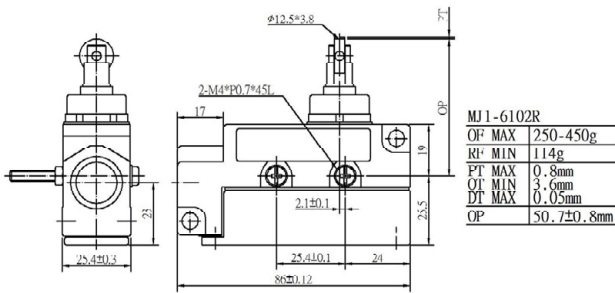
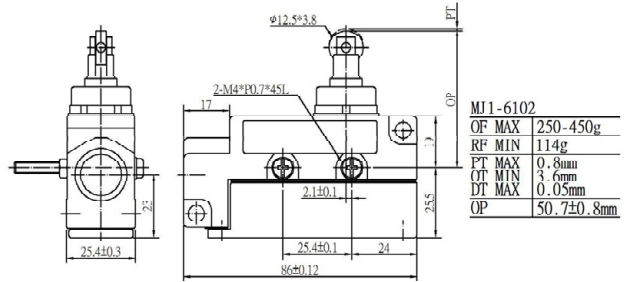
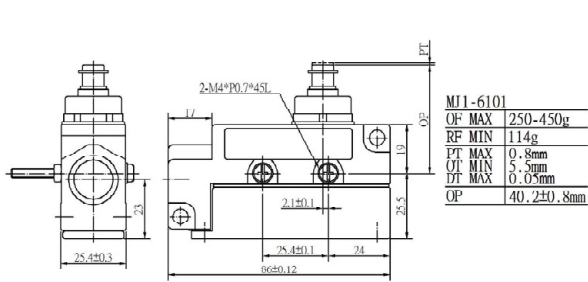
◆ Nomenclature

Series:	Actuator:	Through hole:
MJ1 –	6101 –	
	<u>With-out actuator seal boot (IP60)</u> 6101=Pin plunger 6102=Roller plunger 6102R=Cross roller plunger 6104=Arm lever, roller 6107=Arm lever, arm roller, 1-way action	<i>Blank</i> =PF 1/2" thread M20=M20 thread (cable gland excluded)
	<u>With actuator seal boot (IP65)</u> 6111=Sealed pin plunger 6112=Sealed roller plunger 6112R=Sealed cross roller plunger 6114=Sealed arm lever, roller 6106=Sealed spring, coil 6117=Sealed arm lever, roller, 1-way action	

MJ1-6

◆ Dimensions & Operating Characteristics

*Measurements in millimeters



MJ1-6101



MJ1-6102



MJ1-6102R



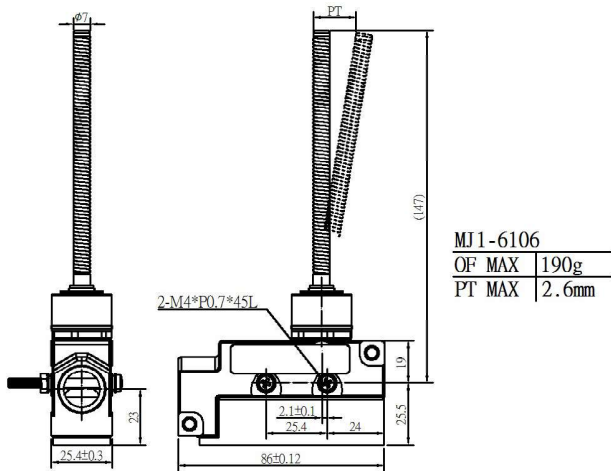
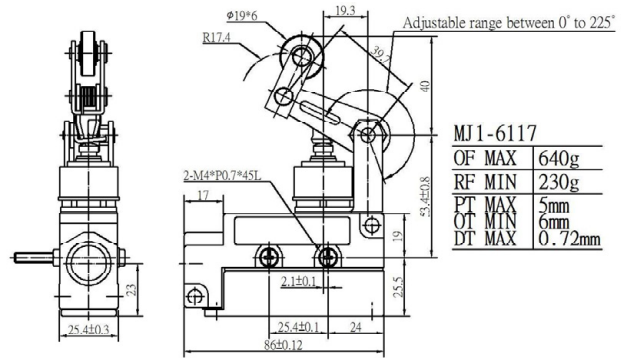
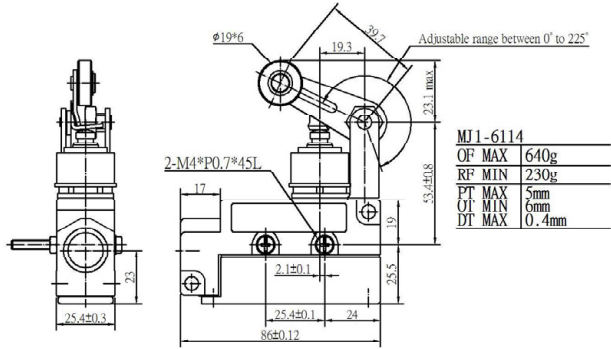
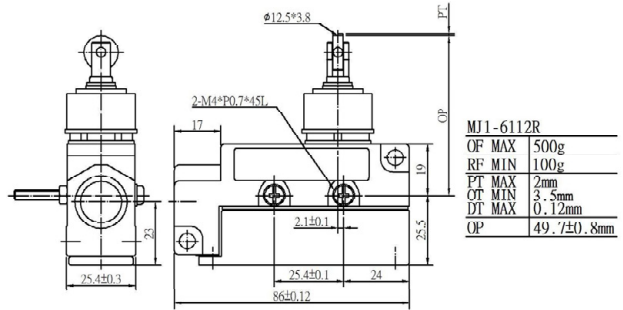
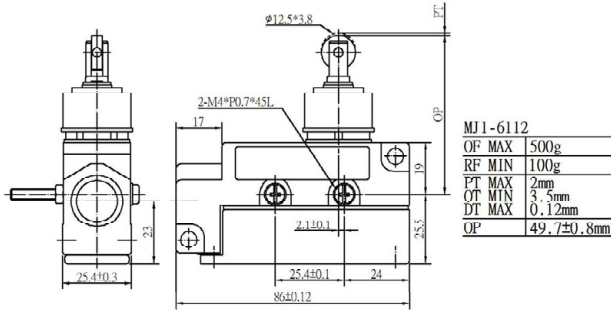
MJ1-6104



MJ1-6107



MJ1-6111



MJ1-6112



MJ1-6112R



MJ1-6114



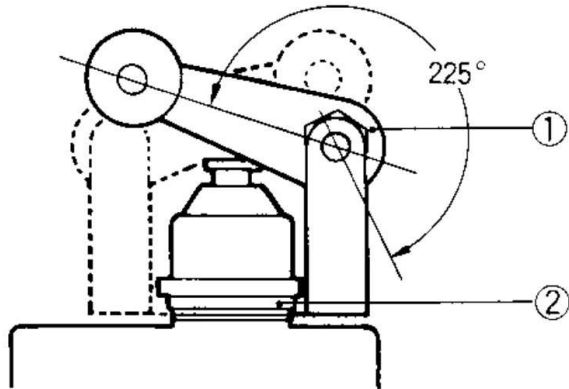
MJ1-6117



MJ1-6106

◆ Handling and Usage

Adjusting the arm lever roller:



1. The roller arm can be set freely within a range of 225° after loosening the nut.
2. The roller arm mounting bracket can be set in any direction after loosening the nut.