

MFS Series

Foot switch

◆ Features

- ✓ Single or double MV-3000A20 miniature switch inside
- ✓ ABS plastic or aluminum enclosure
- ✓ IP40 protection
- ✓ E104879 AWM 18AWG cable

◆ Recognition(s)

- ✓ CE – EN60947
- ✓ RoHS Compliant
- ✓ Reach Unaffected



◆ Characteristics

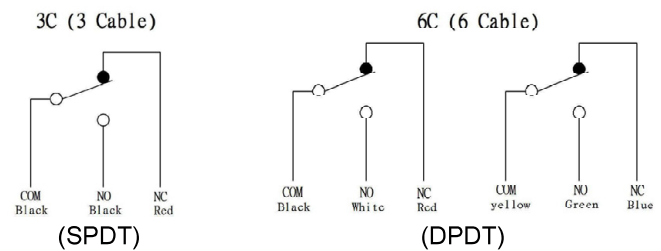
Positive Opening	Electrical Contact	Terminal Type	Contact Form(s)	Poles & Throws		Actuation Sequence(s)	
No	3C or 6C	Wire (1m,2m) E104879 AWM 18AWG	1or 2 x C	SPDT, DPDT		Break(1)-Make(2), DB(1)-DM(2)	

Operating Temp.	AC Rated	DC Rated	Oil Resist	Dust Resist	Water Resist	IP
-15 to 80 C	15A 125V-250V	0.5A 125V	No	No	No	40

Operation Frequency	Service Life (min.ops)	Dielectric Strength
Mechanically: 600/min Electrically: 60/min	Mechanically: 5,000,000 Electrically: 500,000	1000VAC, 50/60Hz for 1 minute between non-continuous terminals

Operating Humidity	Contact Resistance	Insulation Resistance	Vibration
85% RH max	15mΩ max. (initial)	100MΩ min. (500VDC)	1.5mm amplitude at 10-55Hz

Recommended tightening forces	Circuitry



◆ Materials

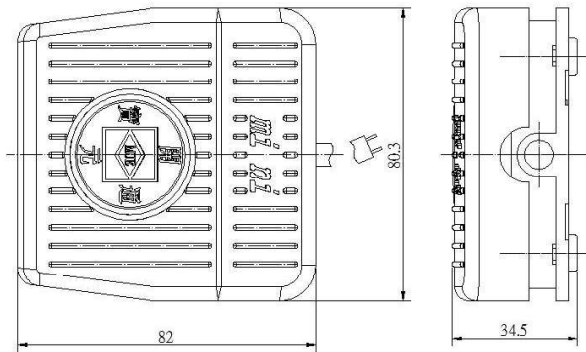
Actuation touch part	Electrical contact point	Enclosure
ABS Plastic, or Aluminum	Silver-Nickel Alloy	ABS Plastic (miniature), or Aluminum (large)

◆ Nomenclature

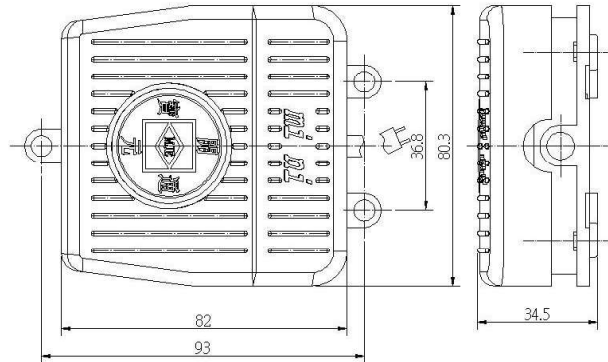
Series:	Type:	Cable Length:
MFS –	1012 –	2
	1011=miniature, SPDT 1012=miniature with fixture piece, SPDT 1021=large with fixture piece, SPDT 1022=large with fixture piece, DPDT	1L=1 meter 2L=2 meter

◆ Dimensions & Operating Characteristics

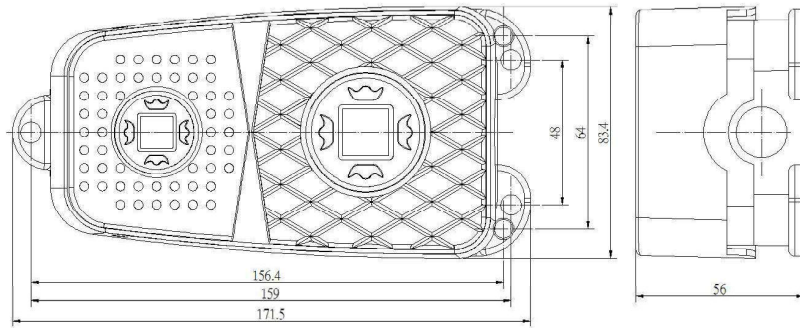
*Measurements in *millimeters*



MFS-1011
Actuation Force: 1kg



MFS-1012
Actuation Force: 1kg



MFS-1021 & 1022
Actuation Force: 3kg



MFS-1011



MFS-1012



MFS-1021 & 1022